

Feeney DesignRail® with 3form Resin panel Infill



Flexible Frame Design

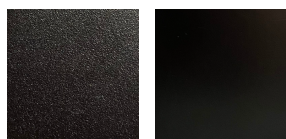
- AAMA 2604 Powder Coated Aluminum with Stainless Steel Fasteners
- 36" or 42" standard heights (also available in custom heights)
- 5' on center max. post spacing
- Compatible with 6 Standard Top Rail Profiles
- Available for Level or Stair applications (interior projects only)



Resin Panels

- 1/4" thick Resin panels by 3form
- Sandstone finish both sides durable finish with subtle texture
- SCS-certified recycled content helps achieve LEED credits for building sustainability
- GREENGUARD Indoor Air Quality Certified
- Underwriters Laboratories registered
- Very tough, allowing for maximum installed durability
- Lightweight, half the density of glass which makes for easier installation
- Excellent chemical resistance which reduces potential harm incurred by cleaning agents
- Field trimmable width using straight edge and saw

Frame Color Options

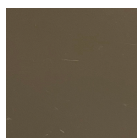


Textured Black

Matte Black



White



Bronze



Silver

• Durable, powder coated finishes adhere to AAMA-2604 coating specifications for superior color retention, impact resistance, and weather protection.

• Frame and panel colors can be mixed and matched

• Choose from the top selling colors listed here or go online to feeneyinc.com/ColorEasy to see more options.



9 Resin Panel Infill Options by 3Form



Ting Ting



Rice Grass



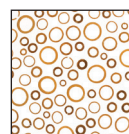
Thatch 50 Percent



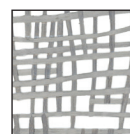
Ginkgo Thatch



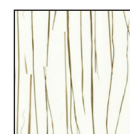
Kathali Grays



Bamboo Rings Natural



Connection Square Gray

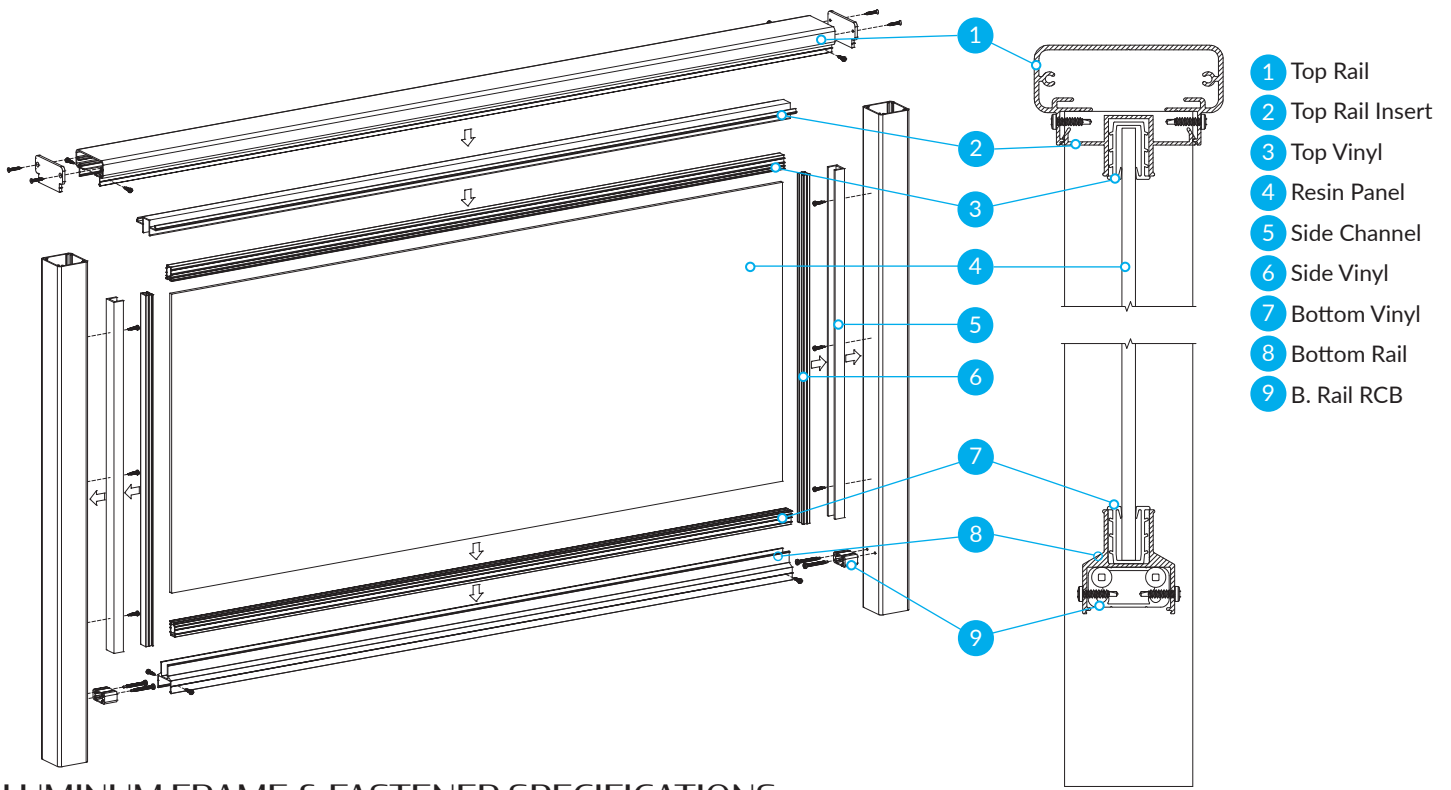


Bear Grass Lite



Fossil Leaf Spade Random

ASSEMBLY DIAGRAMS



ALUMINUM FRAME & FASTENER SPECIFICATIONS

Extrusion Type	Alloy	Specification
Posts, RCBs, Splice Tubes, Fascia Brackets	6005A-T5	ASTM B221
Top Rail, Bottom Rail, Intermediate Rail, Snap Cap, Inserts, Pickets	6063-T6	ASTM B221 AMSQQA200/9
Handrail Extrusion	6063-T52	ASTM B221 ASTM B429

Fastener	Alloy	Specification
Lag Screws	Type 18-8 Stainless Steel	ANSI/ASME B18.2.1-2012
Thru-Bolts/ Cap Screws	Type 18-8 Stainless Steel	ASTM F593017 CW
Assembly Screws	Type 410 Stainless Steel	ANSI/ASME B18.6.4

RESIN PANEL SPECIFICATIONS

Test Type	Result/Rating	Specification
Smoke Density	Pass (71.6%)	ASTM D2843
Flame Spread	CC1	ASTM D635
Self-Ignition Temperature	Pass (716 °F)	ASTM D1929
Flame Spread	Class B	ASTM E84

MAINTENANCE GUIDELINES

Resin panels should be cleaned periodically. We recommend the use of the following common cleaning products: Windex, Formula 409, Simple Green, Fantastik, Maintex Oxy Citrus, Virex II, 10:1 Water/Bleach Solution.

Rinse the sheets with lukewarm water. (Be careful not to expose edges of organic or fabric interlayers to water) Remove dust and dirt with a soft cloth or sponge and a solution of mild soap and/or liquid detergent in water. A 50:50 solution of isopropyl alcohol and water also works well. Rinse thoroughly with lukewarm water.

Always use a soft, damp cloth to blot dry. Rubbing with a dry cloth can scratch the material and create a static charge. Never use scrapers or squeegees. Also avoid scouring compounds, gasoline, benzene, acetone, carbon tetrachloride, certain deicing fluids, lacquer thinner or other strong solvents.



The Stairway Shop

5717 Salmen Street New Orleans, LA 70123
sales@stairwayshop.com | 888-243-3339